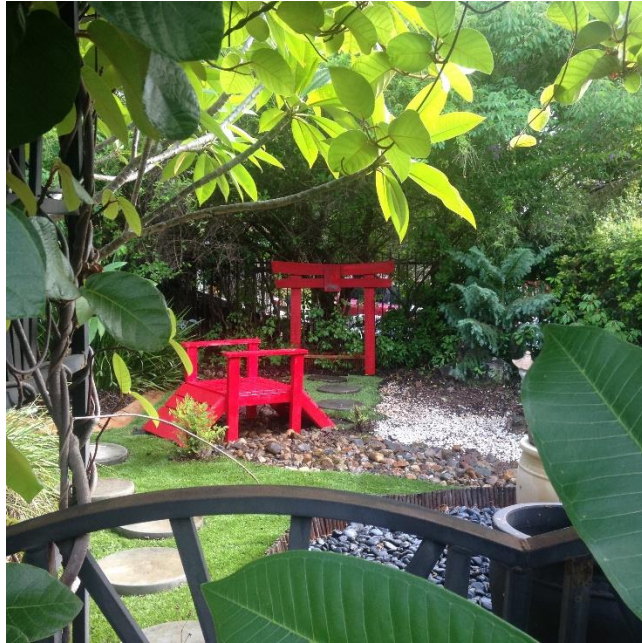


Michirus Garden- The Bridge



In October my Dad asked if I would have time to make a replacement bridge for my Mums birthday. This year has been crazy and I finally got on to it in time for Christmas.



The original bridge was ready to be replaced.

Simon Home Timber & Hardware Shopping List:

70 x35mm Rough Sawn Untreated Pine

89 x 19mm Dressed Pine

50mm Screws

Wood Glue

Spray Paint

Putty (Or timber filler)

Tools:

Tape Measure

Drop Saw

Combination Square

Pencil

Drill/Driver

Orbital Sander

Belt Sander (Or Jigsaw)

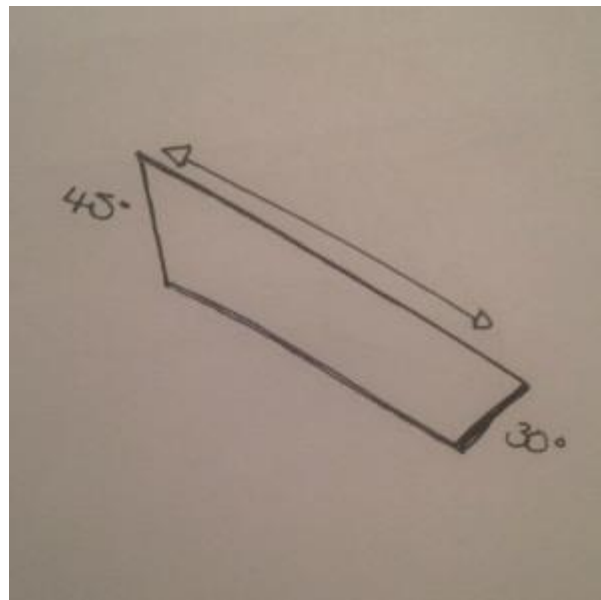
Safety Glasses

Hearing Protection

Step 1:

Start by cutting the leg pieces. This bridge was made to be steeper than an ordinary foot bridge as it is ornamental.

For this bridge begin by making a 45° cut then from the long end of the cut measure 450mm this is where you will start your next cut.



Set your drop saw to 30° in the opposite direction to the initial cut. Now line up to your mark and cut this piece. Repeat this step to create 4 legs.

Note: If you would like a less steep bridge increase the angle past 45° .

Step 2:

With your saw still set to 30° cut two more pieces with 30° measuring 550mm from the long end of the cut.

Step 3:

Join the pieces together with glue and screws. Pre-drill each hole before screwing.

Step 4:

Cut 5 support bars from the 70x35 at 430mm. Attach three support bars between the legs across the top and one on each end of the legs where they meet the ground.



Step 5:

Measure the distance from each leg. This should be around 500mm. Then begin cutting the slats. I started by cutting 4 and working out how many I would need and the spacing between each rest. Attach each slat with glue and screws on to the legs. I used 14 in total.



distance from each leg. around 500mm. cutting the 89 x 19mm cutting 4 and working out how many I would need and the spacing between each before cutting the slat with glue and

Step 6:

Take the time sand to ensure they are orbital sander to putty up the holes, and lightly sand



the edges and sides smooth. I used an orbital sander to save time. Then wait for them to dry again.

Note:
run out of 70x35 so I finished the first coat making the hand and attach the hand beginning painting.



At this stage I had undercoated and of the bridge before rails. You can make rails before

Step 7:

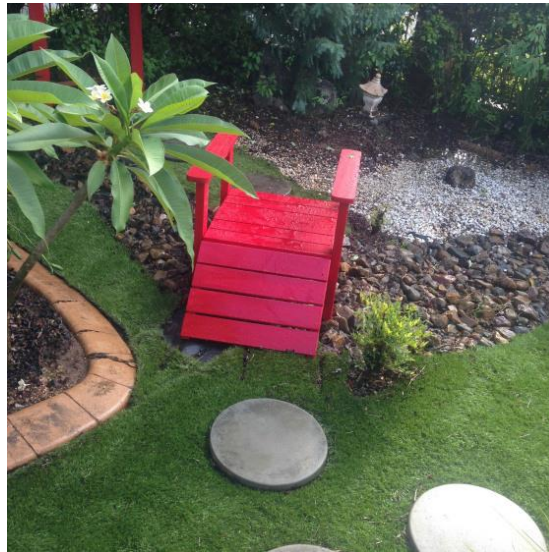
Cut 4x 70x35 @ 500mm for the hand rails and 2x 89x19 @ 600mm for the tops. I used a tin of paint to mark out round corners on the tops of the handrails alternatively you can leave these square. I then used a belt sander to round out the edges (A jigsaw will also work.) Attach the top to the legs ensuring the space between the legs is no wider than the top part of your bridge.

Step 8:

Attach the legs to the bridge. Putty and sand as required.

Step 9:

Undercoat and paint the finished piece and now you can a nice solid bridge!



Note: Always pre-drill before screwing. Ensure you wear necessary protective wear.